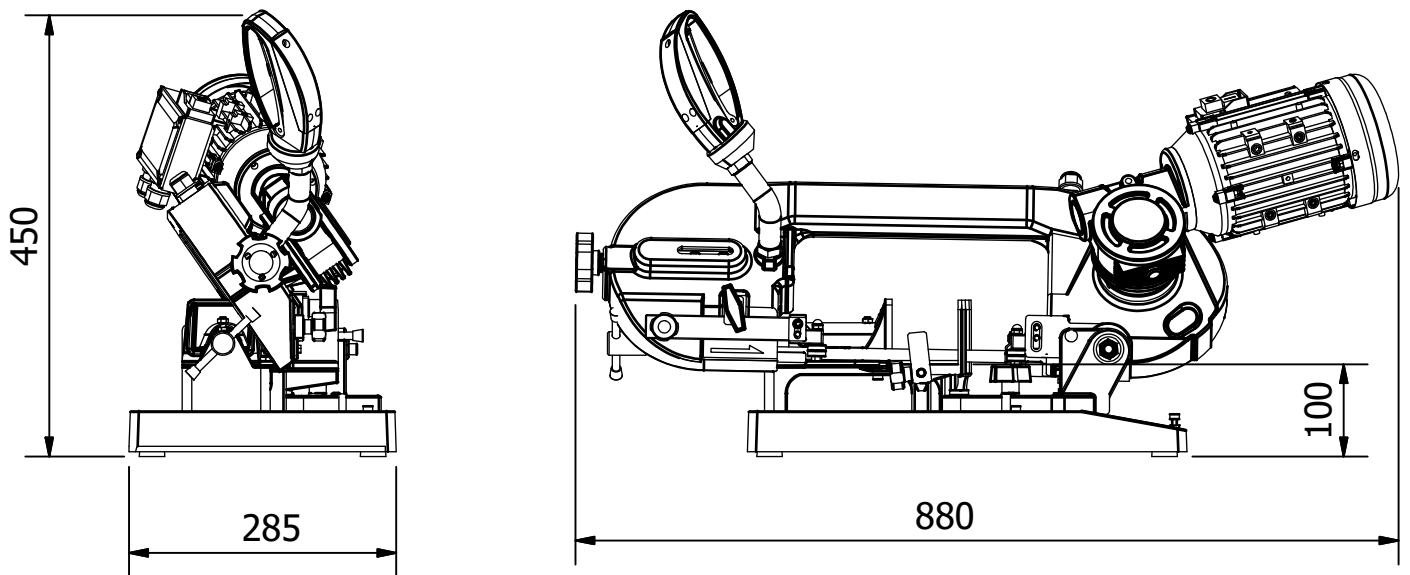


CY-125P



		
0°	127mm	H125mm*130mm
45°	90mm	90mm
60°	45mm	45mm

TECHNICAL DATA	
MOTOR(AC)	230V / 0.55 KW
CUTTING SPEED(AC)	60 MPM(50HZ) ; 72 MPM(60HZ)
WORKING TABLE HEIGHT	100MM / 900MM(STAND)
BLADE DIMENSIONS	1440MM*0.65MM*13MM(6/10T)
N.W / G.W	25/29 KG
PACKING SIZE / CUFT	98CM*38CM*54CM(7.1CUFT)
STAND (CARTON)	83*13*55CM(15.7KG/17 KG) 2.1CUFT